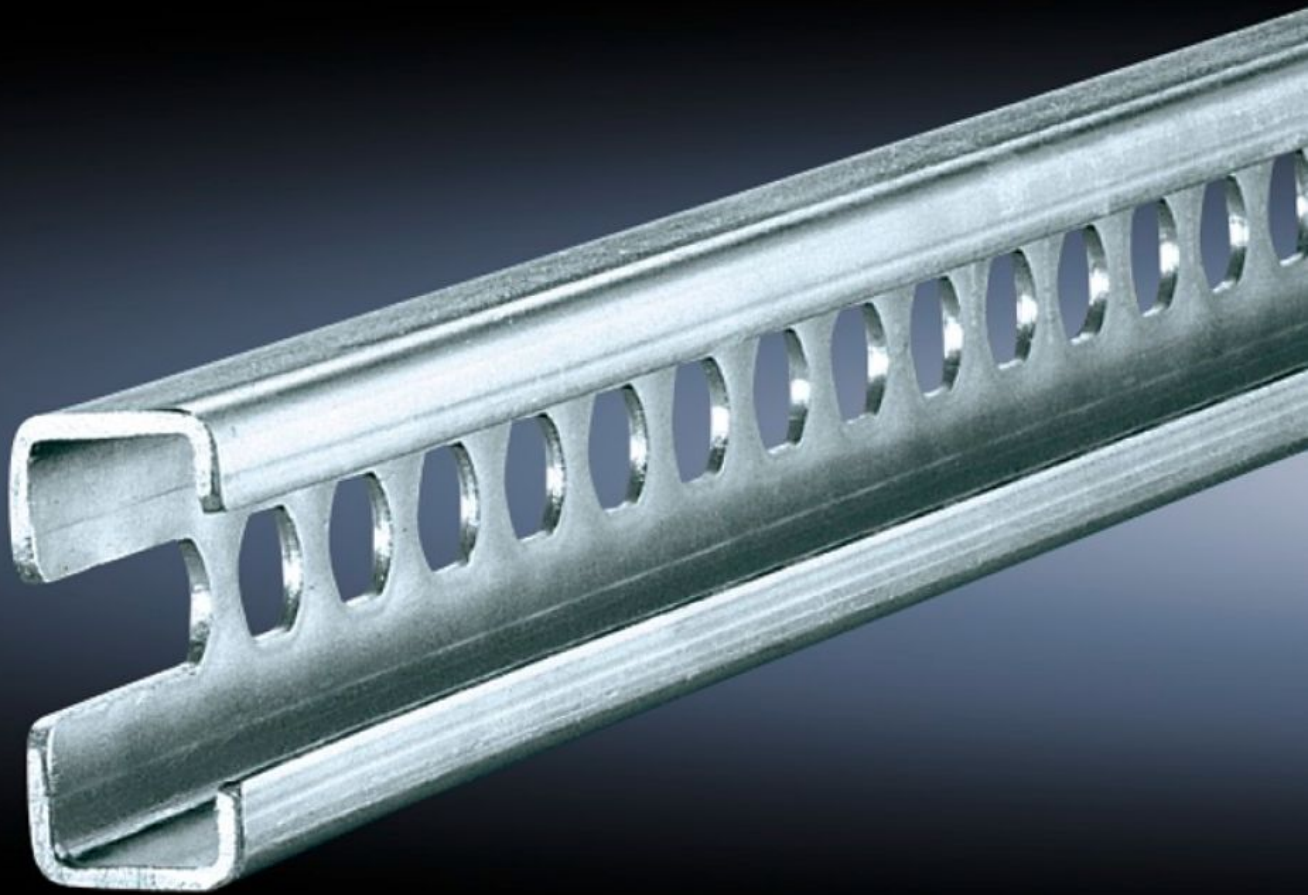


# Rittal – The System.

Faster – better – everywhere.



## SZ 4944.000

## C rails 30/15

State: 15/08/2025 (Source: [rittal.com/uk-en](http://rittal.com/uk-en))

ENCLOSURES

POWER DISTRIBUTION

CLIMATE CONTROL

IT INFRASTRUCTURE

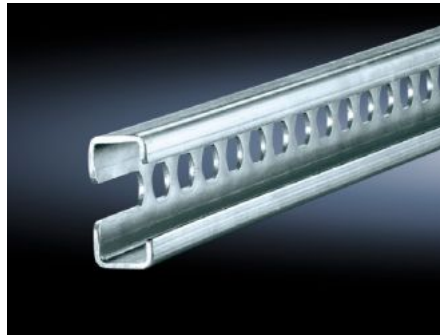
SOFTWARE & SERVICES

FRIEDHELM LOH GROUP



# SZ 4944.000 - C rails 30/15 to EN 60 715 for VX, TS, VX SE

For direct external mounting on the horizontal enclosure section or vertical enclosure section with additional assembly components.



## Features

Model No.	SZ 4944.000
Material	Sheet steel
Surface finish	Zinc-plated
Length	555 mm
Installation options	<p>On the inner mounting level of the VX enclosure section</p> <p>On the vertical TS, VX SE enclosure section via snap-on nuts TS 8800.808 or adaptor rails for VX compatibility</p> <p>On the horizontal VX SE enclosure section in the width, top and bottom</p> <p>On the horizontal VX SE enclosure section in the depth at the bottom (without mounting plate) and at the top via snap-on nuts 8800.808.</p> <p>On the horizontal TS enclosure section</p> <p>In the width or depth of the 3-part AX. Depending on the installation situation, the bar will need to be shortened to the required size.</p>
VX base/plinth installation options	In base/plinth width 600 mm on the base/plinth trim panels, in conjunction with holder/spacer
AX base/plinth installation options	In base/plinth width 600 mm, in conjunction with metal multi-tooth screws

# Features

To fit	Enclosure type: VX TS AX wall-mounted enclosure, 3-part To fit width/depth: 600 mm
To fit	Base/plinth system AX Base/plinth system VX
Packs of	6 pc(s).
Net weight	2.118
Gross weight	2.4
PCF per pack (cradle-to-gate)	9.1 kg CO2 eq (Cat B)
Note on PCF category	Category B: PCF value (cradle-to-gate) based on the product weight, approximately calculated and self-declared
Customs tariff number	73269098
EAN	4028177114593
ETIM 9	EC000386
ETIM 8	EC000386
ECLASS 8.0	27400602