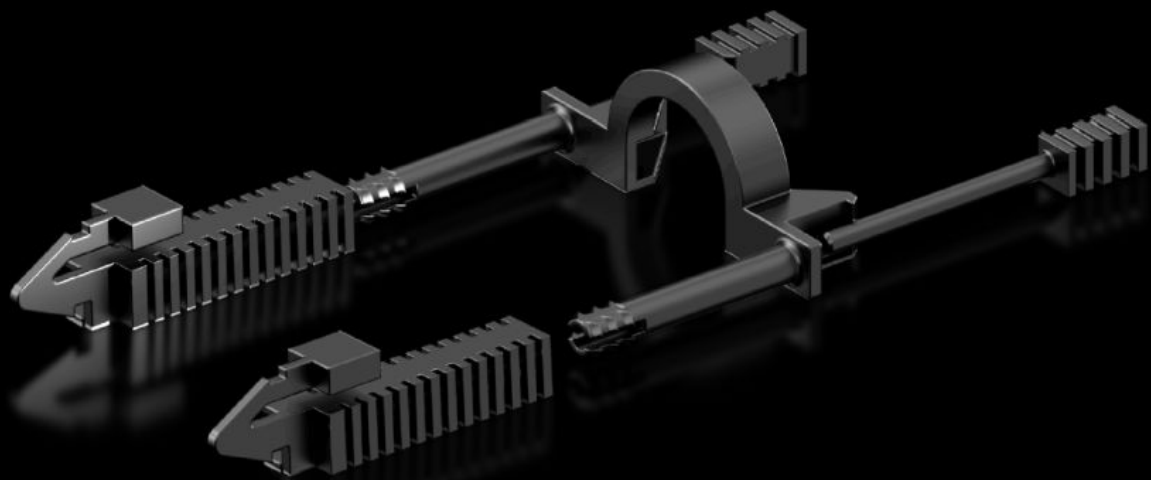


Rittal – The System.

Faster – better – everywhere.



DK 7979.020 Connector lock

State: 12/06/2026 (Source: rittal.com/uk-en)

ENCLOSURES

POWER DISTRIBUTION

CLIMATE CONTROL

IT INFRASTRUCTURE

SOFTWARE & SERVICES

FRIEDHELM LOH GROUP



DK 7979.020 - Connector lock for C14 and C20 connectors

Connector locks C14 and C20 are protected against accidental removal

Features

Model No.	DK 7979.020
Design	for C14 and C20 connectors
Product description	The universal lock can be used to latch IEC 60 320 C14 or C20 connectors in place to prevent accidental removal. Latching is adjustable and adapts to standard connector forms. This creates a reliable manufacturer-independent connection for most connection cables commonly available on the market.
Material	Plastic (PA 12)
Colour	RAL 9005
Packs of	20 pc(s).
Net weight	0.06 kg
Gross weight	0.084 kg
Customs tariff number	39269097
ETIM 9	EC000330
ECLASS 8.0	27142604
Product description	DK connector lock, for locking IEC 60 320 C14/C20 connectors, for PDU/PSM modules with C13/C19 slots, adjustable, RAL 9005