

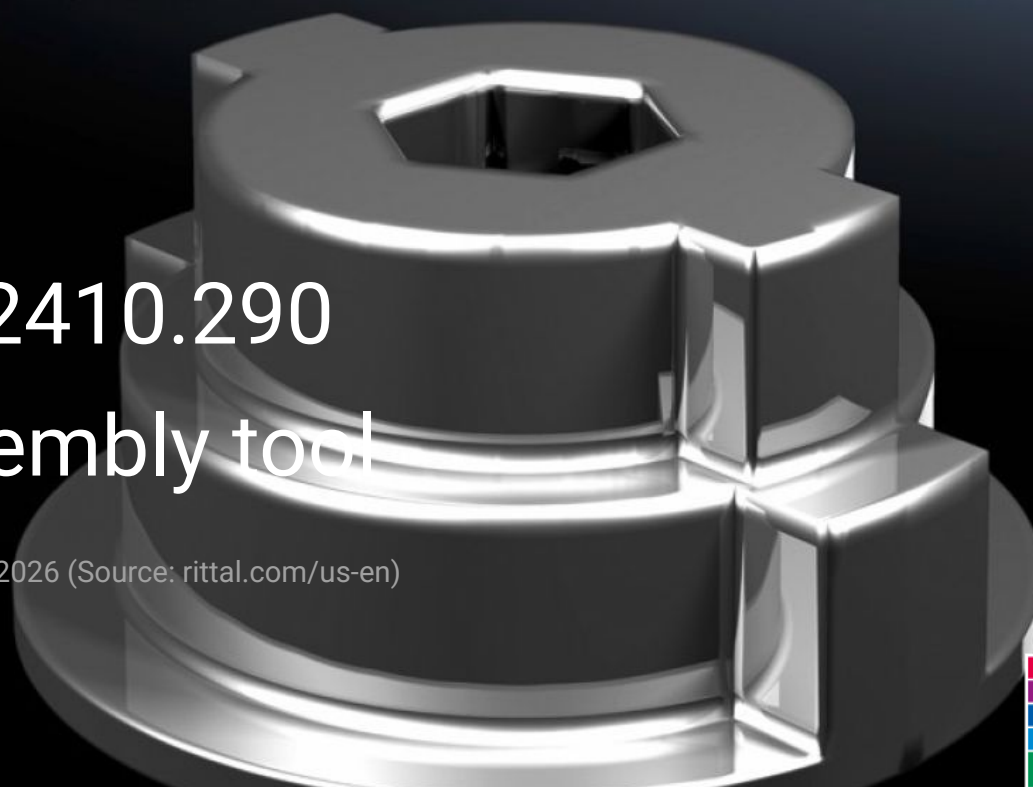
Rittal – The System.

Faster – better – everywhere.



HD 2410.290 Assembly tool

State: 6/30/2026 (Source: rittal.com/us-en)



ENCLOSURES

POWER DISTRIBUTION

CLIMATE CONTROL

IT INFRASTRUCTURE

SOFTWARE & SERVICES



FRIEDHELM LOH GROUP

HD 2410.290 - Assembly tool for HD cable glands

To secure HD cable glands in an internal thread or using lock nuts, either from the inside or from the outside using an Allen key.

Features

Model No.	HD 2410.290
Product description	To secure HD cable glands in an internal thread or using lock nuts, either from the inside or from the outside using an Allen key.
Supply includes	Adapter for sizes from M12 - M25
Packaging unit	1 pc(s).
Net weight	0.03 kg
Gross weight	0.032 kg
Customs tariff number	73181900
ETIM 9	EC000441
ETIM 8	EC000441
ECLASS 8.0	27149109
Product description	HD Assembly tool, for HD cablegland