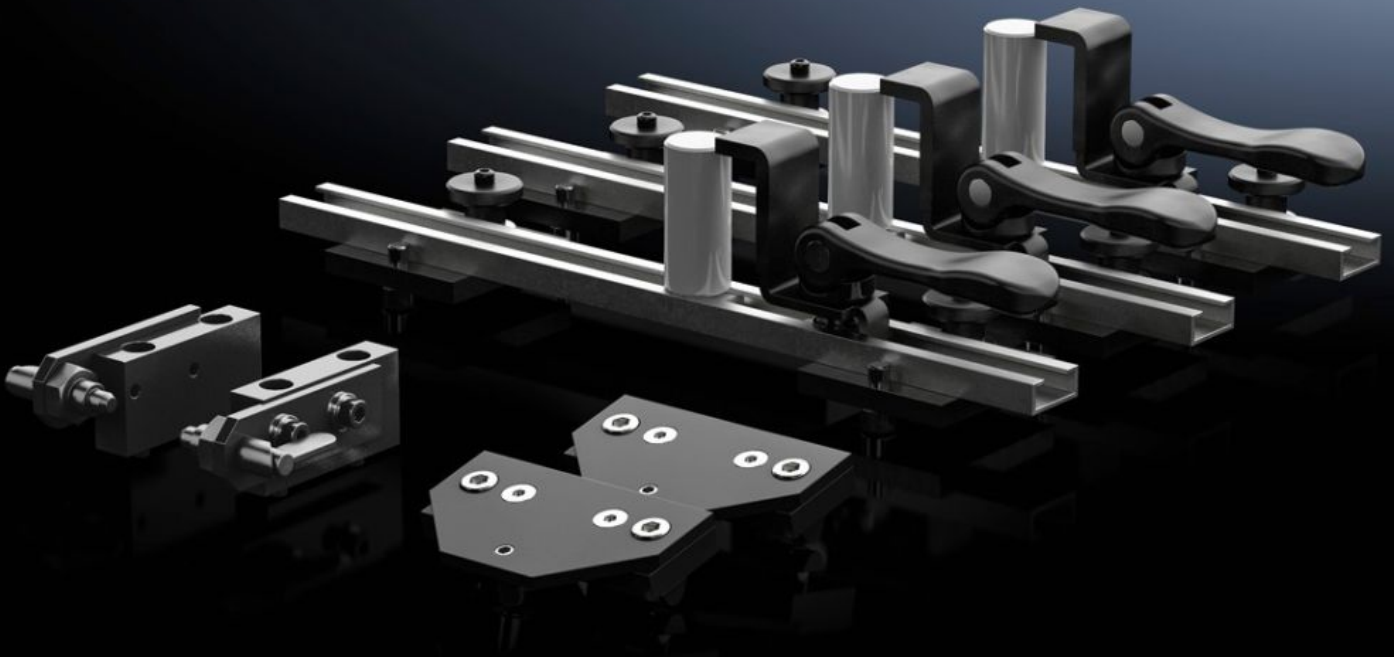


Rittal – The System.

Faster – better – everywhere.



AS 4050.035 Clamping height extension

State: 5/21/2026 (Source: rittal.com/us-en)

ENCLOSURES

POWER DISTRIBUTION

CLIMATE CONTROL

IT INFRASTRUCTURE

SOFTWARE & SERVICES

FRIEDHELM LOH GROUP



AS 4050.035 - Clamping height extension for Perforex MT 2201 S

Upgrade kit to extend the clamping height for Perforex Milling Terminal MT S.

Features

Model No.	AS 4050.035
Product description	Upgrade kit to extend the clamping height for Perforex milling terminals MT.
Supply includes	3 clamping units Assembly components
Note	May be retrofitted
Suitable for Model No.	4055.926 4055.927
Dimensions	Height: 1,700 mm Height: 66.9 "
Packaging unit	1 pc(s).
Net weight	5 kg
Gross weight	5 kg
Customs tariff number	84669360
ETIM 9	EC003456
ETIM 8	EC003456
ECLASS 8.0	36609190
Product description	Clamping height extension 1700 mm