

Rittal – The System.

Faster – better – everywhere.



TS 4199.000 Bracket/Spacer

State: 6/10/2026 (Source: rittal.com/us-en)

ENCLOSURES

POWER DISTRIBUTION

CLIMATE CONTROL

IT INFRASTRUCTURE

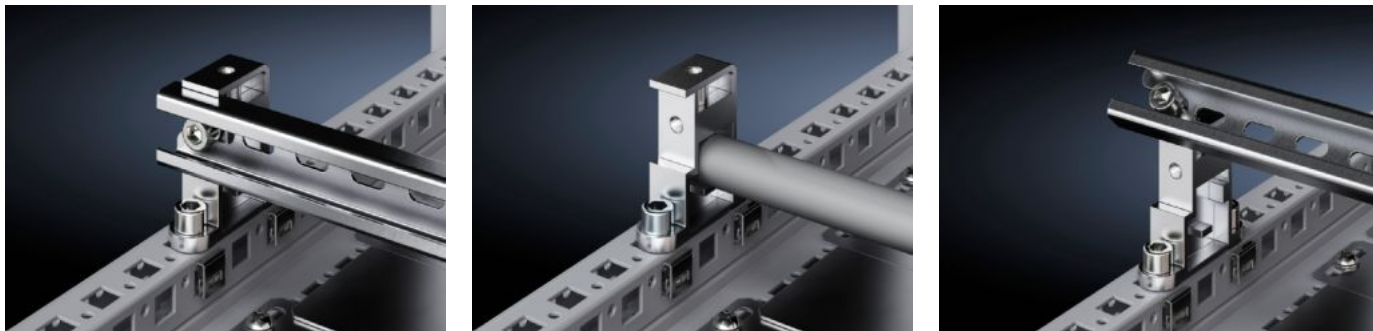
SOFTWARE & SERVICES

FRIEDHELM LOH GROUP



TS 4199.000 - Bracket/Spacer

For the flexible attachment of C rails, support profiles or cable clamp rails (angle profile). On the sides, to accommodate square sections or tubes (\varnothing 20 mm). Fastening points with M8 thread.



Features

Model No.	TS 4199.000
Product description	For the flexible attachment of C rails, support profiles or cable clamp rails (angle profile). On the sides, to accommodate square sections or tubes (\varnothing 20 mm). Fastening points with M8 thread.
Material	Die-cast zinc
Supply includes	1 set = 1 x holder/spacer, 2 x M8 x 16 mm screws, 2 x spring washers, 2 x M8 cage nuts, 2 x self-tapping screws
Installation options	On the horizontal and vertical VX enclosure section On a system chassis for the inner mounting level On the vertical TS, VX SE enclosure section via snap-on nuts 8800.806 or via adapter rail for VX compatibility On the horizontal TS enclosure section On the horizontal VX SE enclosure section, bottom On the horizontal VX SE enclosure section top, in depth On enclosures and rails with rectangular hole profile 12.5 x 11 mm
Note	In VX SE on enclosure section in conjunction with adapter rail VX
Suitable for enclosure type	VX TS VX SE
Packaging unit	6 pc(s).
Net weight	1.02 kg

Features

Gross weight	1.107 kg
Customs tariff number	73269098
ETIM 9	EC002625
ETIM 8	EC002625
ECLASS 8.0	27189234
Product description	TS Bracket/spacer
