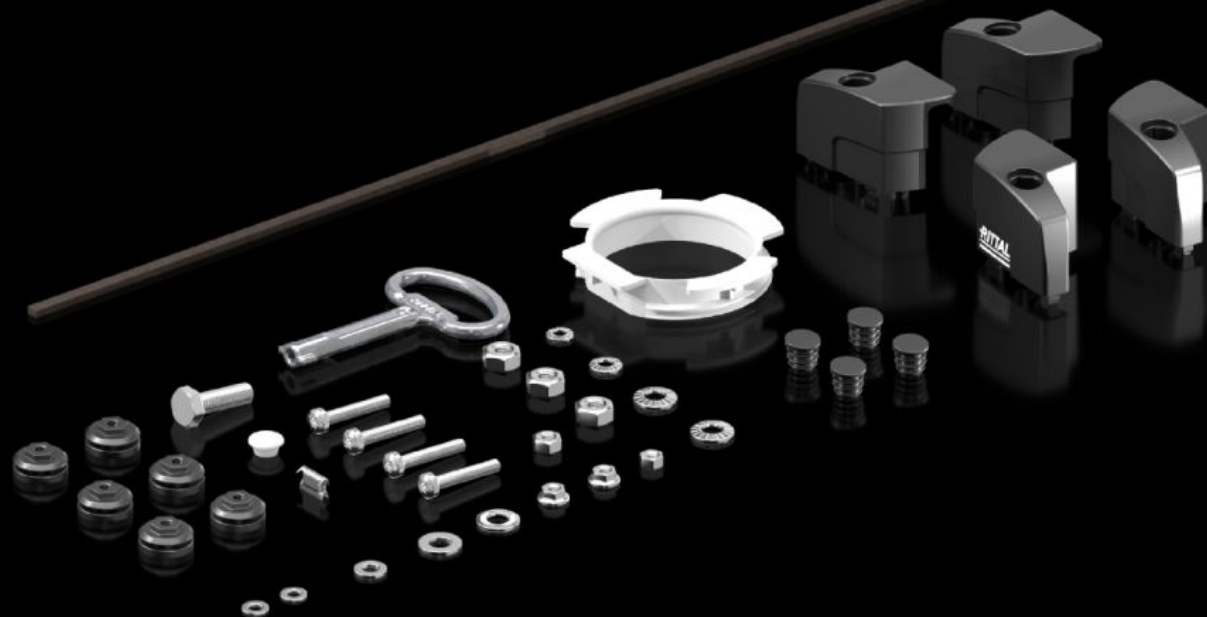
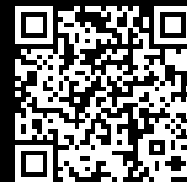


Rittal – The System.

Faster – better – everywhere.



AX 5050.706 Accessory bag

State: 4/21/2026 (Source: rittal.com/us-en)

ENCLOSURES

POWER DISTRIBUTION

CLIMATE CONTROL

IT INFRASTRUCTURE

SOFTWARE & SERVICES

FRIEDHELM LOH GROUP



AX 5050.706 - Accessory bag

Features

Model No.	AX 5050.706
Packaging unit	1 pc(s).
Net weight	0.23 kg
Gross weight	0.24 kg
Customs tariff number	83024900