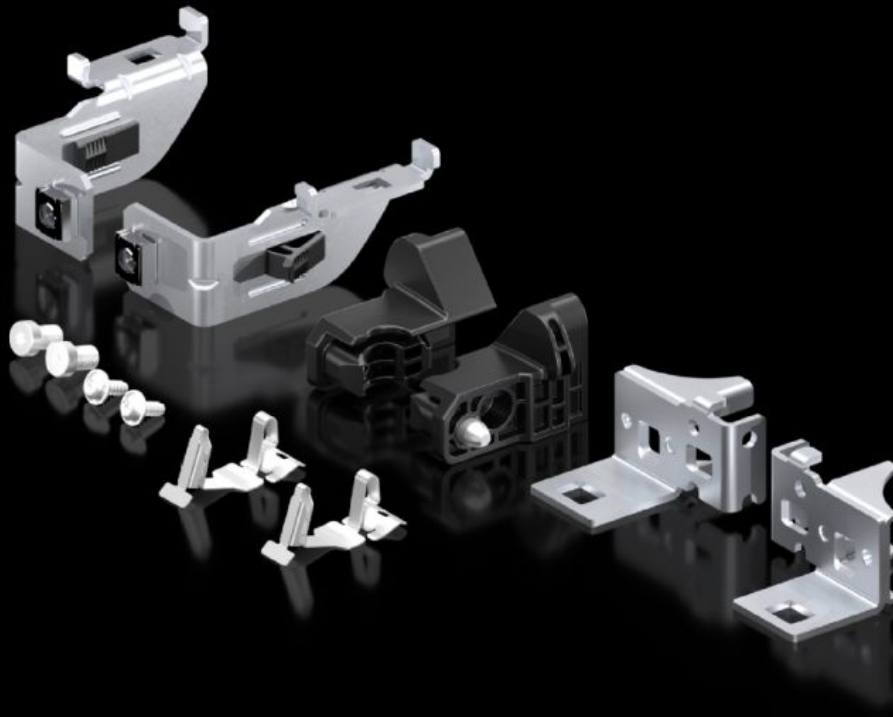


Rittal – The System.

Faster – better – everywhere.



VX 5050.816 Mounting plate attachment

State: 4/21/2026 (Source: rittal.com/us-en)

ENCLOSURES

POWER DISTRIBUTION

CLIMATE CONTROL

IT INFRASTRUCTURE

SOFTWARE & SERVICES

FRIEDHELM LOH GROUP



VX 5050.816 - Mounting plate attachment for VX, VX IT, SE, TP, PC, IW

Features

Model No.	VX 5050.816
Packaging unit	1 pc(s).
Net weight	0.65 kg
Gross weight	0.66 kg
Customs tariff number	83024900
