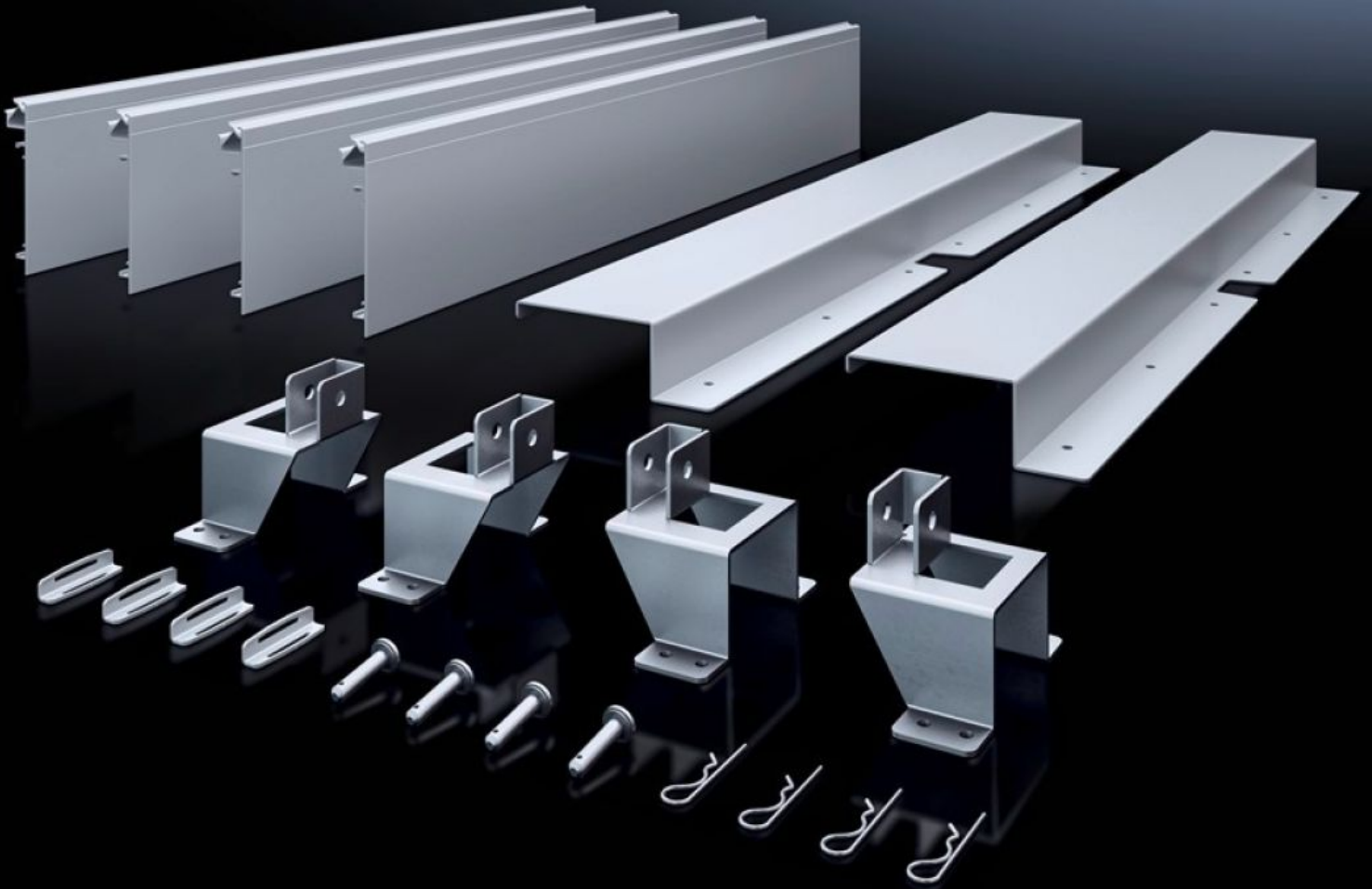


# Rittal – The System.

Faster – better – everywhere.



## SV 9666.922 Installation kit ISV

State: 6/18/2026 (Source: [rittal.com/us-en](http://rittal.com/us-en))

ENCLOSURES

POWER DISTRIBUTION

CLIMATE CONTROL

IT INFRASTRUCTURE

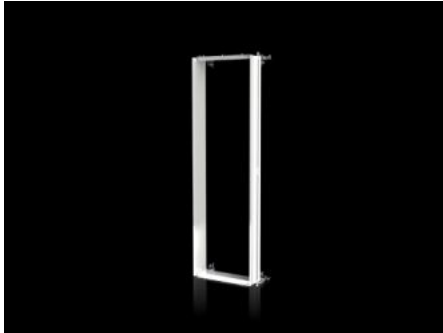
SOFTWARE & SERVICES

FRIEDHELM LOH GROUP



# SV 9666.922 - Installation kit ISV for VX

For mounting ISV installation modules in VX enclosures.



## Features

Model No.	SV 9666.922
Product description	For mounting ISV installation modules in enclosures.
Material	Mounting frame holder Carbon steel, zinc-plated Contact hazard protection: Carbon steel, spray finished Contact hazard protection, lateral: PVC
Supply includes	Mounting aid support Contact Hazard Protection Assembly components
Size	Width units (WU) @ 250 mm: 4 Height units (U) @ 150 mm: 12
Suitable for Model No.	9666.926 9666.966
Suitable for	Enclosure type: VX Width: 1,100 mm Height: 2,000 mm Depth: 400 mm 600 mm Enclosure type: VX Width: 43.3 " Height: 78.7 " Depth: 15.7 " 23.6 "
Packaging unit	1 pc(s).

# Features

---

Net weight	9.5 kg
Gross weight	9.92 kg
Customs tariff number	83024900
ETIM 9	EC002270
ECLASS 8.0	27400613
Product description	ISV installation kit for VX, 4 WU (1000 mm), 12 U (1800 mm), WxH: 1100x2000 mm