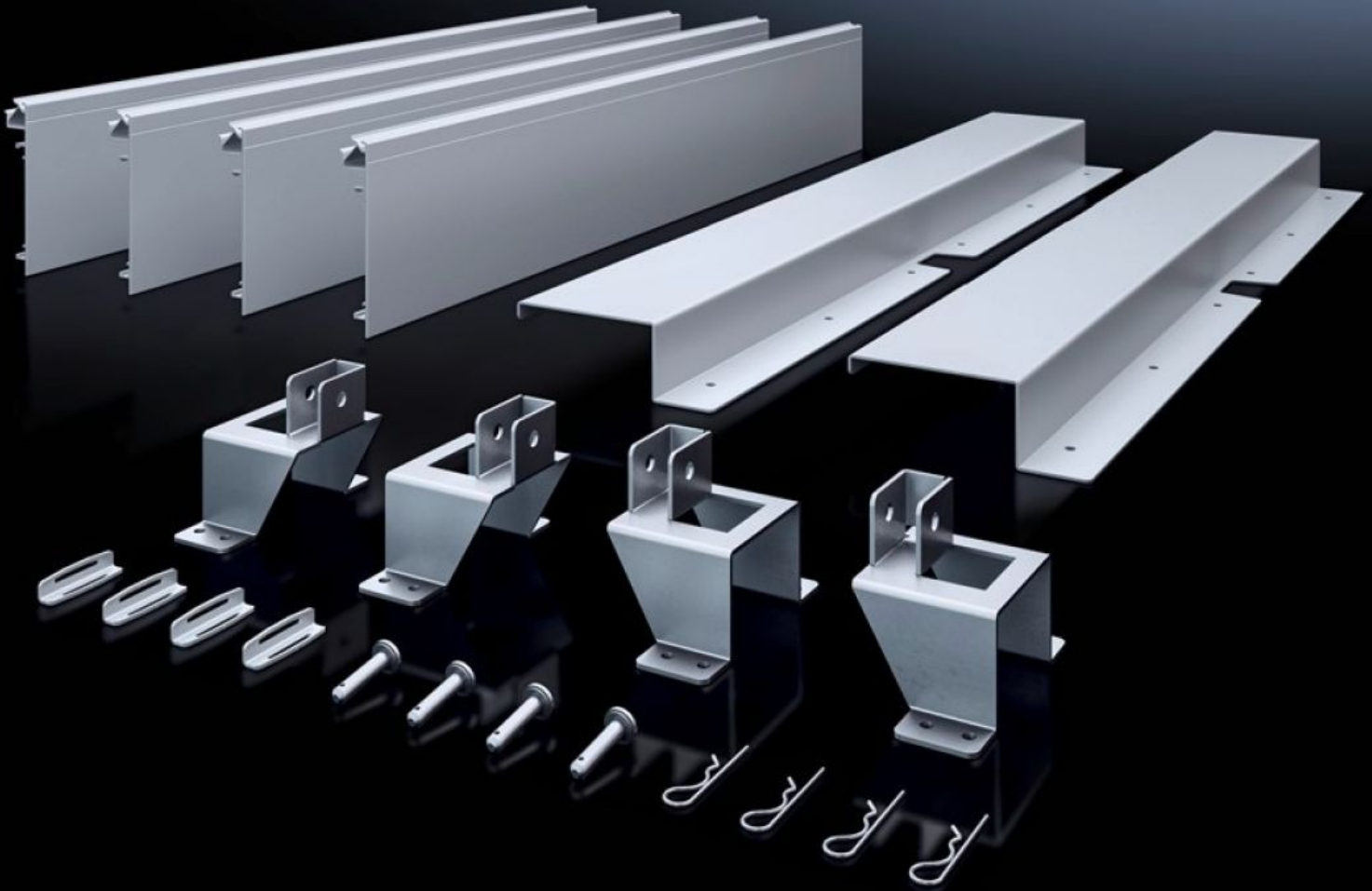


# Rittal – The System.

Faster – better – everywhere.



## SV 9666.932 Installation kit ISV

State: 6/24/2026 (Source: [rittal.com/us-en](http://rittal.com/us-en))

ENCLOSURES

POWER DISTRIBUTION

CLIMATE CONTROL

IT INFRASTRUCTURE

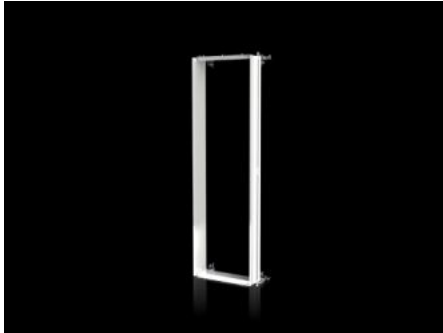
SOFTWARE & SERVICES

FRIEDHELM LOH GROUP



# SV 9666.932 - Installation kit ISV for VX

For mounting ISV installation modules in VX enclosures.



## Features

Model No.	SV 9666.932
Product description	For mounting ISV installation modules in enclosures.
Material	Mounting frame holder Carbon steel, zinc-plated Contact hazard protection: Carbon steel, spray finished Contact hazard protection, lateral: PVC
Supply includes	Mounting aid support Contact Hazard Protection Assembly components
Size	Width units (WU) @ 250 mm: 2 Height units (U) @ 150 mm: 11
Suitable for Model No.	8457.000 8684.000 8685.000 8686.000

# Features

---

Suitable for	Enclosure type: VX Width: 600 mm Height: 1,800 mm Depth: 400 mm 500 mm 600 mm Enclosure type: VX Width: 23.6 " Height: 70.9 " Depth: 15.7 " 19.7 " 23.6 "
Packaging unit	1 pc(s).
Net weight	6.6 kg
Gross weight	7 kg
Customs tariff number	83024900
ETIM 9	EC002270
ECLASS 8.0	27400613
Product description	ISV installation kit for VX, 2 WU (500 mm), 11 U (1650 mm), WxH: 600x1800 mm