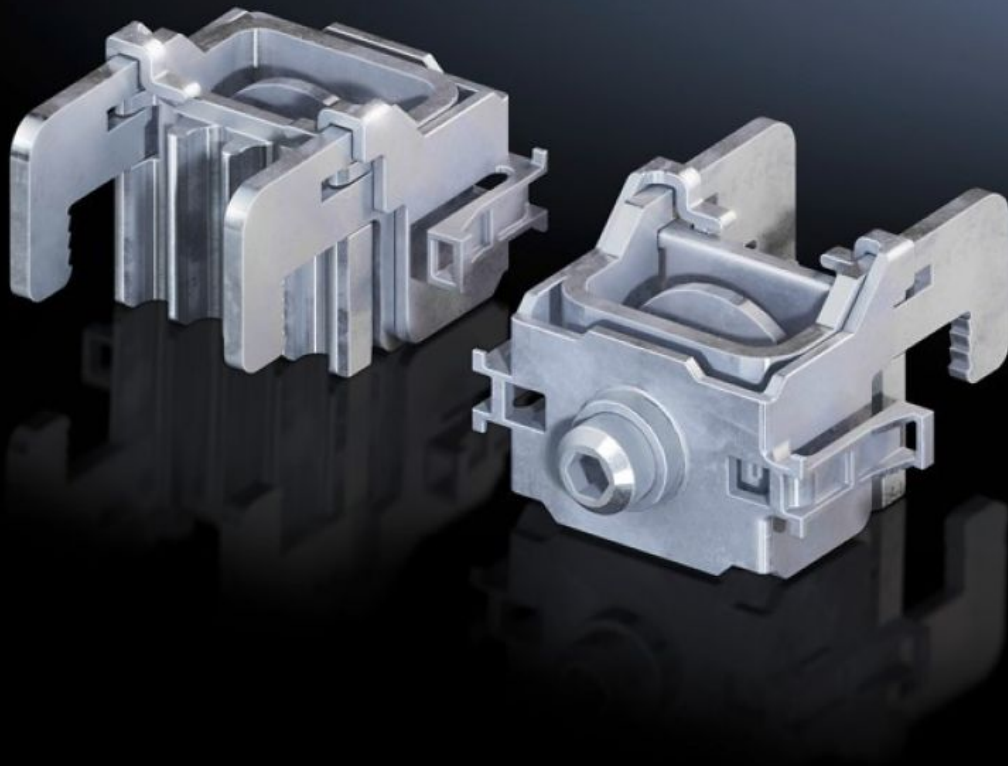


Rittal – The System.

Faster – better – everywhere.



SV 9677.460 Contact terminal

State: 5/22/2026 (Source: rittal.com/us-en)

ENCLOSURES

POWER DISTRIBUTION

CLIMATE CONTROL

IT INFRASTRUCTURE

SOFTWARE & SERVICES

FRIEDHELM LOH GROUP



SV 9677.460 - Contact terminal For NH in-line fuse-switch disconnectors/connector adapters

For mounting components on busbar systems with 185 mm center-to-center spacing, no drilling required.

Features

| | |
|-------------------------------------|--|
| Model No. | SV 9677.460 |
| Product description | For mounting components on busbar systems with 185 mm center-to-center spacing, no drilling required. |
| Material | Carbon steel, zinc-plated E-Cu, tin-plated |
| For size | 1 - 3 and connection adaptor |
| Note | Only suitable for use on busbar system with contact hazard protection cover (cover section, slotted) |
| Packaging unit | 3 pc(s). |
| Net weight | 0.36 kg |
| Gross weight | 0.472 kg |
| Copper weight (kg per piece) | 0.051 |
| PCF/VE (cradle-to-gate) | 1.7 kg CO2 eq (Cat B) |
| Information regarding the PCF class | Category B: PCF value (cradle-to-gate) calculated approximately on the basis of the product weight and self-declared |
| Customs tariff number | 73182900 |
| ETIM 9 | EC000001 |
| ECLASS 8.0 | 27141146 |
| Product description | SV Contact terminal, for NH slimline fuse-switch disconnector, size 1-3/connection adaptor, (SV 9677XXX) |